



AGArangeusa.com

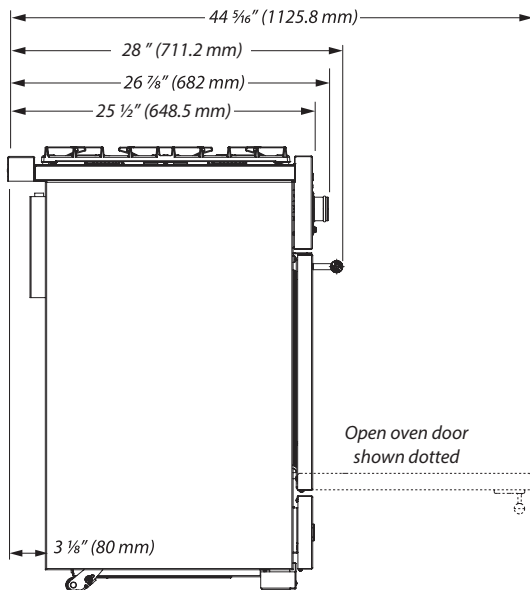
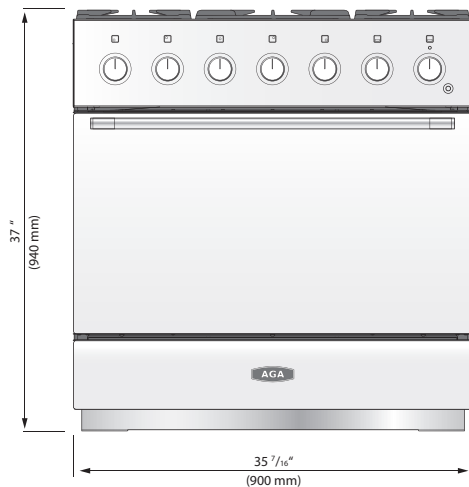
# 36" MERCURY DUAL FUEL RANGE

MODEL: **AMC36DF**



The AGA Mercury range is known for its bold design, contemporary details, zero-clearance facade and mod style cooking controls. It is truly a statement piece in any luxury kitchen.

Designed and built in the UK, this range is a technical masterpiece, the embodiment of exquisite quality and stylish, thoughtful design. Available in 16 sophisticated finish options, The AGA Mercury range is the perfect match for any mood or lifestyle.



## SPECIFICATIONS

- Electrical: 240 V 60 Hz
- Gas: 1/2" NPT at rear left-hand side
- Oven Ratings:
  - Fan element (x2): 1.8 kW each
  - Top element (x2): 0.75 kW each
  - Browning element (x2): 1.15 kW each
  - Bottom element (x2): 0.75 kW each
- Product Dimensions: 35 1/2" W x 28" D x 37" H
- Shipping weight (lbs): 392 lbs *(includes range, crate & pallet)*

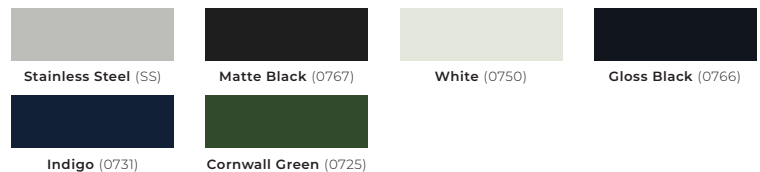
## WARRANTY

- 2 Year Warranty on parts and labor with exception of cosmetic parts & lightbulbs

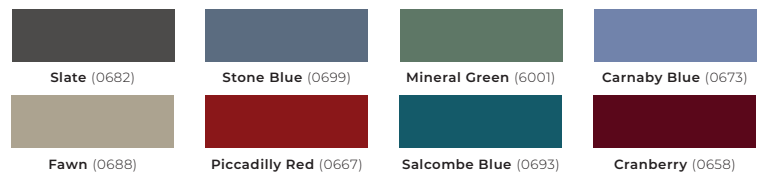
## FINISHES

**NOTE:** Colors not in stock could have a 4-12 week lead time (check for availability). Ranges manufactured using Soho colors are only available with stainless steel fascia.

### CLASSIC COLOR COLLECTION



### SOHO COLOR COLLECTION



## OPTIONAL KNOB FINISH

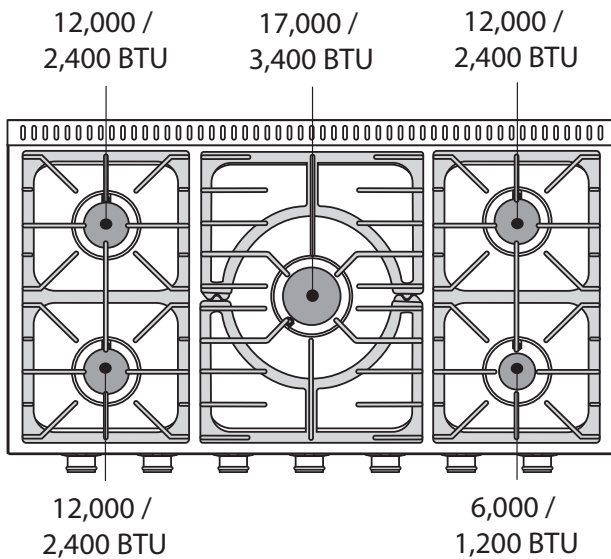
**NOTE:** The AGA Mercury ships standard with Stainless Steel Knobs, but also has a Black finish option available as an after-market purchase.





# 36" MERCURY DUAL FUEL RANGE

5 BURNER COOKTOP



## FEATURES

- 7-Mode Multifunction Oven with European Dual-Convection Cooking, Fan-Assisted Baking, Browning, Thaw-to-Serve, Convection Broiling, Warming and Conventional Cooking

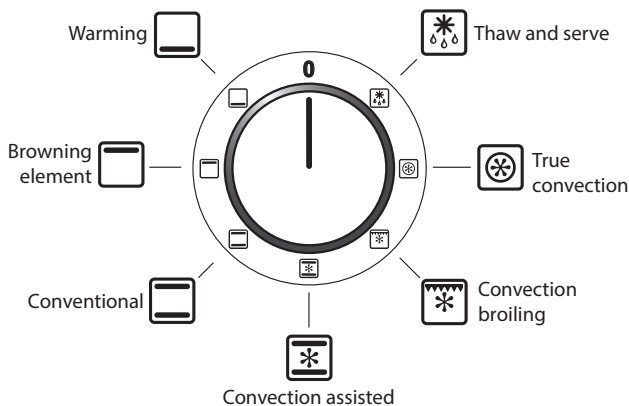
- *Large 4.5 cu. ft. oven*
- *Two robust telescopic glide-out racks*
- *One flat rack*
- *One Pastry Tray*
- *Dual broiler system*

- 5-sealed solid burners
  - *Porcelain enamel finish*
  - *One 17,000 BTU center burner*
  - *Three 12,000 BTU burners*
  - *One 6,000 BTU simmer burner can be dialed down to 1,200 BTU*
  - *All burners designed with thermocouple safety mechanism*

- Continuous cast iron grates easily slide pots and pans from burner to burner without spilling
  - *Interlocking grates for secure cooking surface*
  - *Easily removes for cleaning*
  - *Matte finish grates won't discolor*

- Hi-Fi style knobs for precise temperature control
- Bottom storage drawer is large enough to hold oven racks

7 MULTIFUNCTION COOKING MODES





# 36" MERCURY DUAL FUEL RANGE

General Properties	
Total Oven Capacity	4.5 cu. ft.
Usable Oven Space	28" W x 14" D x 14 1/2" H
Cooking Mode	Multi-function Oven with 7 Cooking Modes
Cleaning Type	EasyClean™ Enamel
Controls	Knobs on fascia
Sealed Burners	Yes
Cooktop Performance	
Cooktop Dimensions	35 1/2" W x 21 3/5" D
Number of Brass Burners	5
Power of Left Front Burner	12,000 BTU High; 2,400 BTU Low
Power of Back Left Burner BTU	12,000 BTU High; 2,400 BTU Low
Power of Center Burner BTU	17,000 BTU High; 3,400 BTU Low
Power of Front Right Burner BTU	6,000 BTU High; 1,200 BTU Low
Power of Back Right Burner BTU	12,000 BTU High; 2,400 BTU Low
Electrical Details	
Circuit Breaker (A)	40A
Volts (V)	240V
Frequency (Hz)	60Hz
Plug Type	4-prong NEMA 14-50P
Power Cord Length	50"
Energy Source	Electric Oven and Gas Cooktop
Gas Type	Natural Gas with LP Conversion Kit included
Alternative Gas Type	Liquid Propane
Dimensions & Weights	
Appliance Dimensions	35 1/2" W x 27 5/8" D x 36 9/16" H
Depth with Door Open	44 5/16"
Weight	309 lbs
Shipping Weight	392 lbs
Package Dimensions	49 1/4" W x 31" D x 46 1/2" H
Accessories Included	
2 x Telescopic rack with runners 1 pastry tray 4 grates with burner heads	Toe kick, Anti-tip device, Handrail 1 LP Conversion Kit